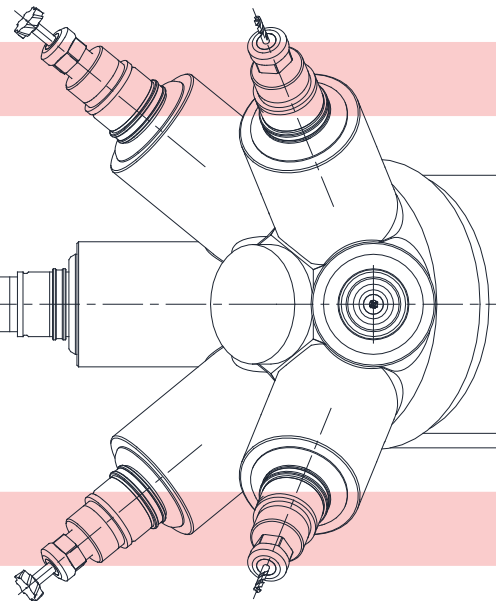
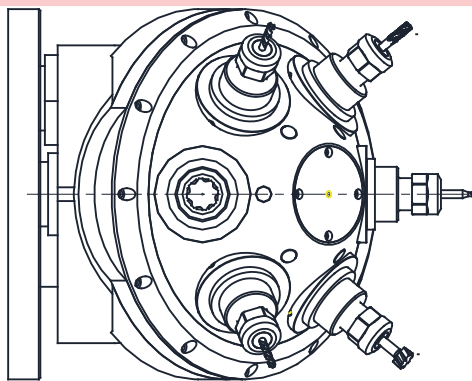
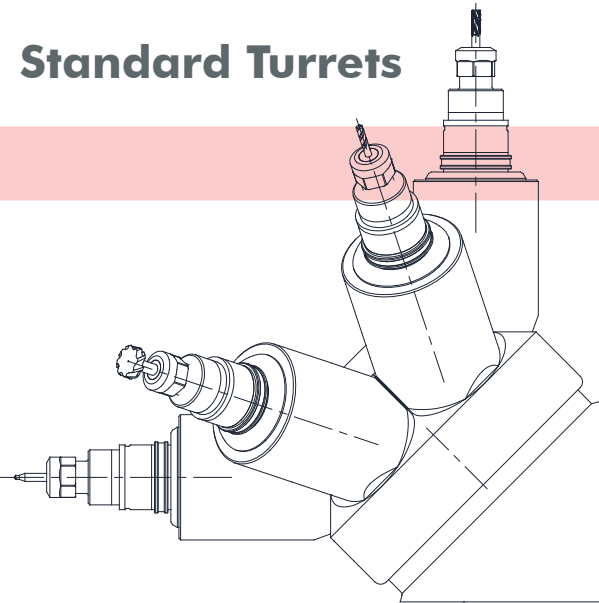
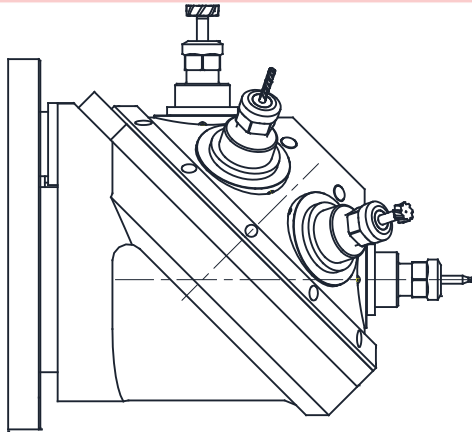
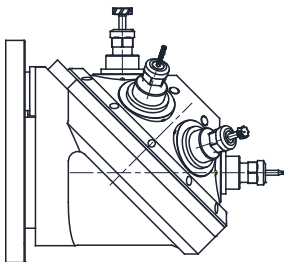


TDM Multi-Tools

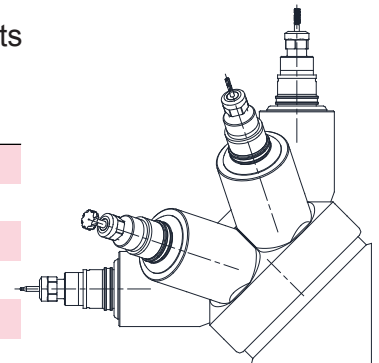
Standard Turrets



Comparison **TDM Multi-Tools** and Standard Turrets



<i>properties</i>	
tool rotation speed	3-5 times higher
stiffness	2-3 times higher
vibrations	4-5 times less
thermal	less heat generation
precision machining dimensions	2 times higher more compact



see **TDM Multi-Tools**